



TECHOD

P.O.Box 35 197
Browns Bay, Auckland 0753
Free phone 0800 777 066
Fax 09 476 6491
Email: info@techod.co.nz
Web site: www.techod.co.nz

DATASHEET

A10

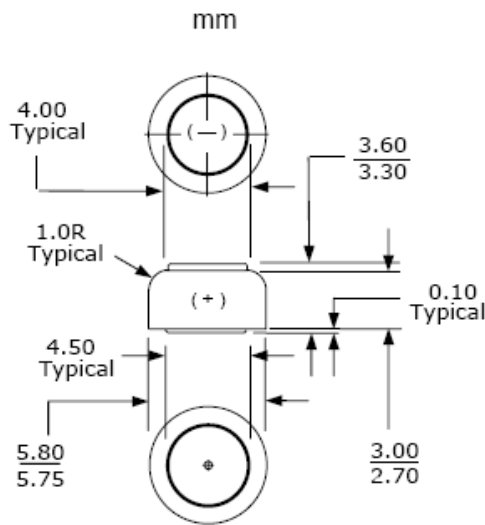
ZeniPower®

SPECIFICATIONS:



(top view) (bottom view)

Industry Standard Dimensions



Chemical System:	Zinc Air (Zn/O ₂)
Identification:	IEC-PR70
Tab Color:	Yellow
Build Standard:	IEC 60086-1:2000, IEC 60086-2:2000
Nominal Voltage:	1.4 Volts
Capacity:	100 mAh (to 0.9 volts) (Rated at 3k ohms at 25°C/ 60%RH)
Available Current:	3 mA(at 1.1 volts)
Tab Sealing Arrangements:	On Cathode Can. See picture above.
Capacity Retention:	> 85%(after 3 years)
Shelf Life:	3 years
Operation Temp:	0°C to 50°C
Typical Weight:	0.31 grams (0.01 oz.)
Typical Volume:	0.08 cubic centimeters (0.005 cubic inch)
Impedance:	≤ 8 ohms (at AC 1000Hz)

Construction

DISCHARGE CHARACTERISTICS AT 3KΩ 25°C 60%RH
(Discharged 24 hours/day)

